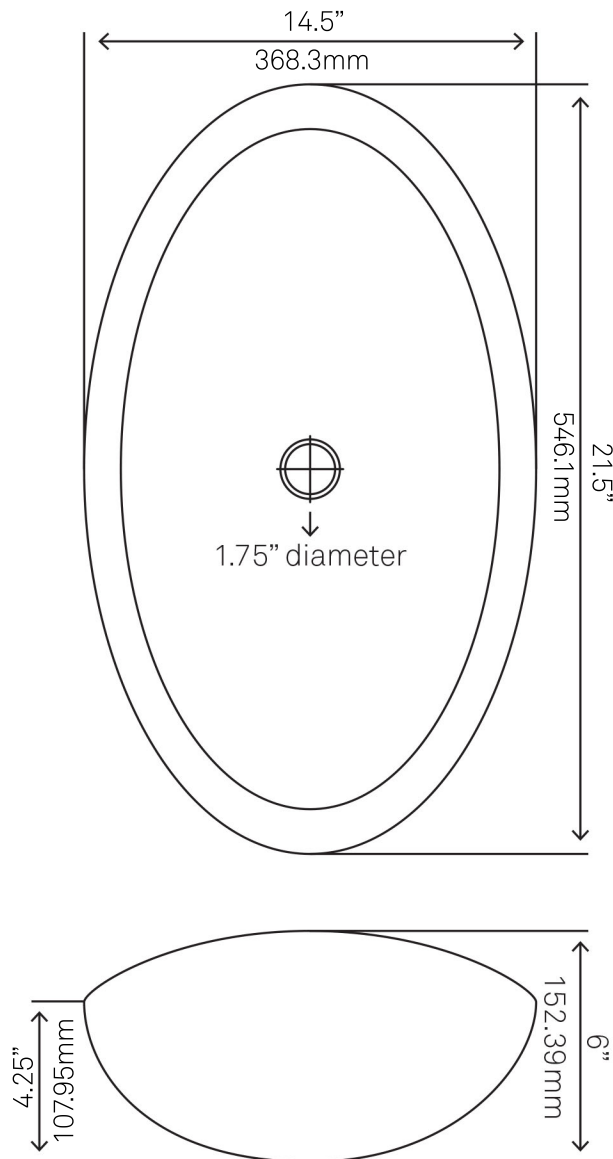




**NOHP-G025-8031 VOLLE  
Painted Glass Vessel Sink**

Requested By: \_\_\_\_\_

Specific Features: \_\_\_\_\_



**STANDARD SPECIFICATIONS:**

- Oval slipper hand painted vessel sink
- Dark rich brown camouflage
- High tempered glass
- Stain and scratch resistant inside
- Textured painted outside
- Above counter installation
- Standard U.S. plumbing connection
- 1.75-inch drain opening
- Novatto faucet and drain sold separately

**WARRANTY:**

Limited lifetime warranty

- See [www.NovattoInc.com](http://www.NovattoInc.com) for details

**COORDINATING ACCESSORIES:**

- PUD-BN/CH/ORB pop-up drain
- MR-001BN/CH/ORB
- Glacier Ice Restoration and Sealer kit

**NOTES**

Novatto reserves the right (1) to make changes in specifications and materials, and (2) to change or discontinue models, both without notice or obligation. Dimensions are for reference only, see [www.NovattoInc.com](http://www.NovattoInc.com) for finish options and product availability.

Novatto Inc  
TOLL FREE 844.404.4242  
[www.NovattoInc.com](http://www.NovattoInc.com)